

# Angular Contact Ball Bearings

Bearing No. : **NACHI 7218CDF**

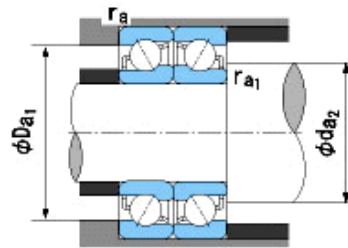
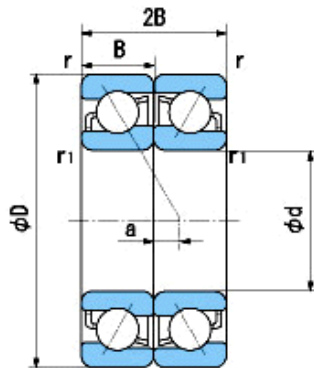
■ Bearing Type

■ Clearance

■ Tolerance Class

Dimensions

d = 90 0  
-0.020  
D = 160 0  
-0.025  
B = 30 0  
0.000  
r = 2~3.5  
(Radial Direction)  
r = 2~5  
(Axial Direction)  
r1 = 1~1.9  
(Radial Direction)  
r1 = 1~3  
(Axial Direction)  
a = -0.6



Dimensions

da1(min) = 100  
da2(min) = 100  
Da1(max) = 150  
Da2(max) = 154  
ra(max) = 2  
ra1(max) = 1  
Mass = 4.6 kg

Basic Dynamic Load Rating Cr : **201,000** N

Basic Static Load Rating Cor : **211,000** N

Limiting Speed ;

Grease Lubrication : **5,100** min<sup>-1</sup>

Oil Lubrication : **7,000** min<sup>-1</sup>

	INNER RING	OUTER RING
O.D.Surface Runout with Side :		-
Axial Runout with Bore :	-	-
Axial Runout with Raceway :	-	-
Width Variation :	<b>0.025</b>	<b>0.025</b>
Radial Runout :	<b>0.025</b>	<b>0.045</b>